

GL7008

8K 7 μm RESOLUTION GLOBAL SHUTTER LINE SCAN CMOS IMAGE SENSOR

GL7008 is a global shutter line scan image sensor with 7 μm square pixel and 8192 horizontal pixels resolutions. The sensor's 12 bit ADC transmits data over 25 pairs of Sub-LVDS at line rate up to 200 kHz.

GL7008 is offered in both color and monochrome versions. The monochrome sensor supports single/dual/triple/quad line modes with optimal sensitivity.

The color sensor supports 3-line true color and 4-line RGBW multispectral output. The exposure time of each line can be individually adjusted by an external trigger. The line spacing of the sensor is equivalent to the pixel size to satisfy the requirements of line frequency matching.

At full speed, the power consumption of **GL7008** is around 4.4 W. The sensor adopts a COB package with Invar heat sink for optimal heat dissipation during high-speed scanning.



Key Features and Benefits

- ▶ Individual Exposure Control for Each Color Line
- ▶ External Trigger
- ▶ Channel Multiplexing
- ▶ On Chip PLL
- ▶ On Chip Sequencer

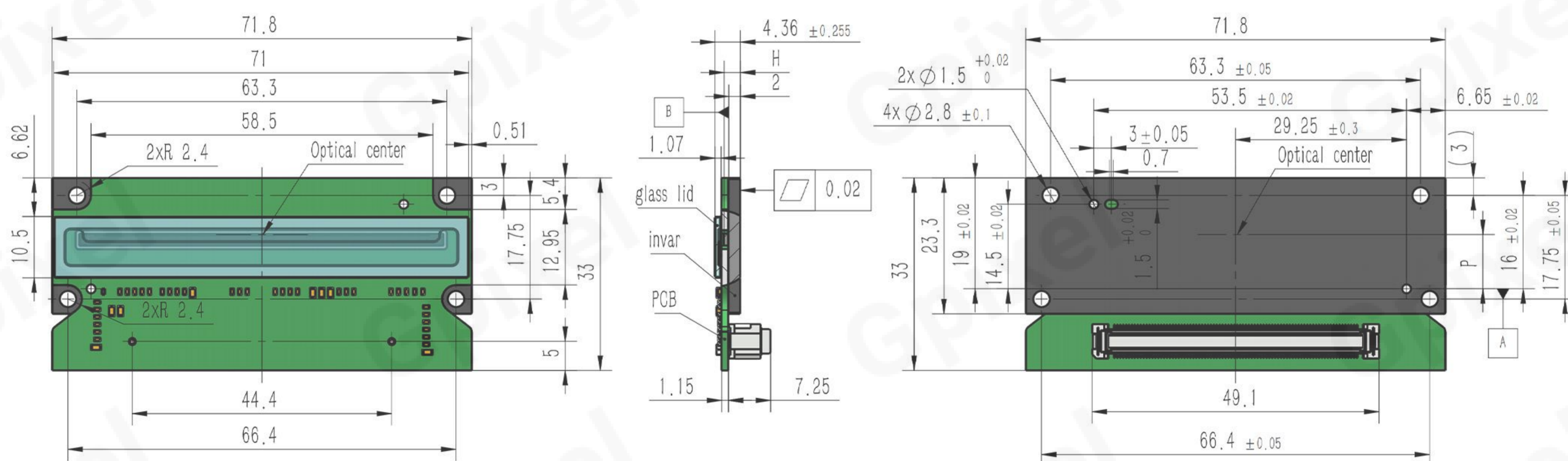
Applications

- ▶ Automation & Inspection
- ▶ Logistic & Positioning

Specifications

Nr of Active Pixels	8192 (H) x 4 (V)	Optical Format	57.344 mm
Pixel Size	7 μm x 7 μm	Shutter Type	Global Shutter
Peak QE	73.2% (530 nm)	Temporal Noise	6.8 e ⁻
Full Well Capacity	10 ke ⁻	Angular Response	20° (85% Response)
Dynamic Range	63.3 dB	Max Line Rate	200k fps (single line) 100k fps (dual line)
Output Format	25 ch Sub-LVDS	Channel Multiplexing	25/13/7/4
ADC	12 bit	Max. Data Rate	24 Gbps
Chroma	Mono, RGB Color	Power Consumption	4.4 W
Supply Voltage	3.3 V (analog) 1.8 V (digital) 1.8 V - 3.3 V (I/O)	Package	168 pins COB (71.8 mm x 33.0 mm)

Package Drawing



Contact Gpixel

GPIXEL CHINA CHANGCHUN (HQ)

Office Buildings 1 and 5, Phase I, Optoelectronic Information Industrial Park, No. 7691 Ziyou Road, Changchun, Jilin, China.
Phone: +86-431-85077785

Disclaimer: The product information and pictures in this flyer are for reference only. For the latest information please visit www.gpixel.com.
GP-PR251121 V1.2

GPIXEL EUROPE

Gpixel NV
Copernicuslaan 60, 2018
Antwerpen, Belgium
Phone: +32-33034442

GPIXEL JAPAN

Gpixel Japan Co., Ltd.
TOC Osaki Building 18th Floor, 1-6-1 Osaki,
Shinagawa-ku, Tokyo, 141-0032 Japan
Phone: +81-03-5962-1600

