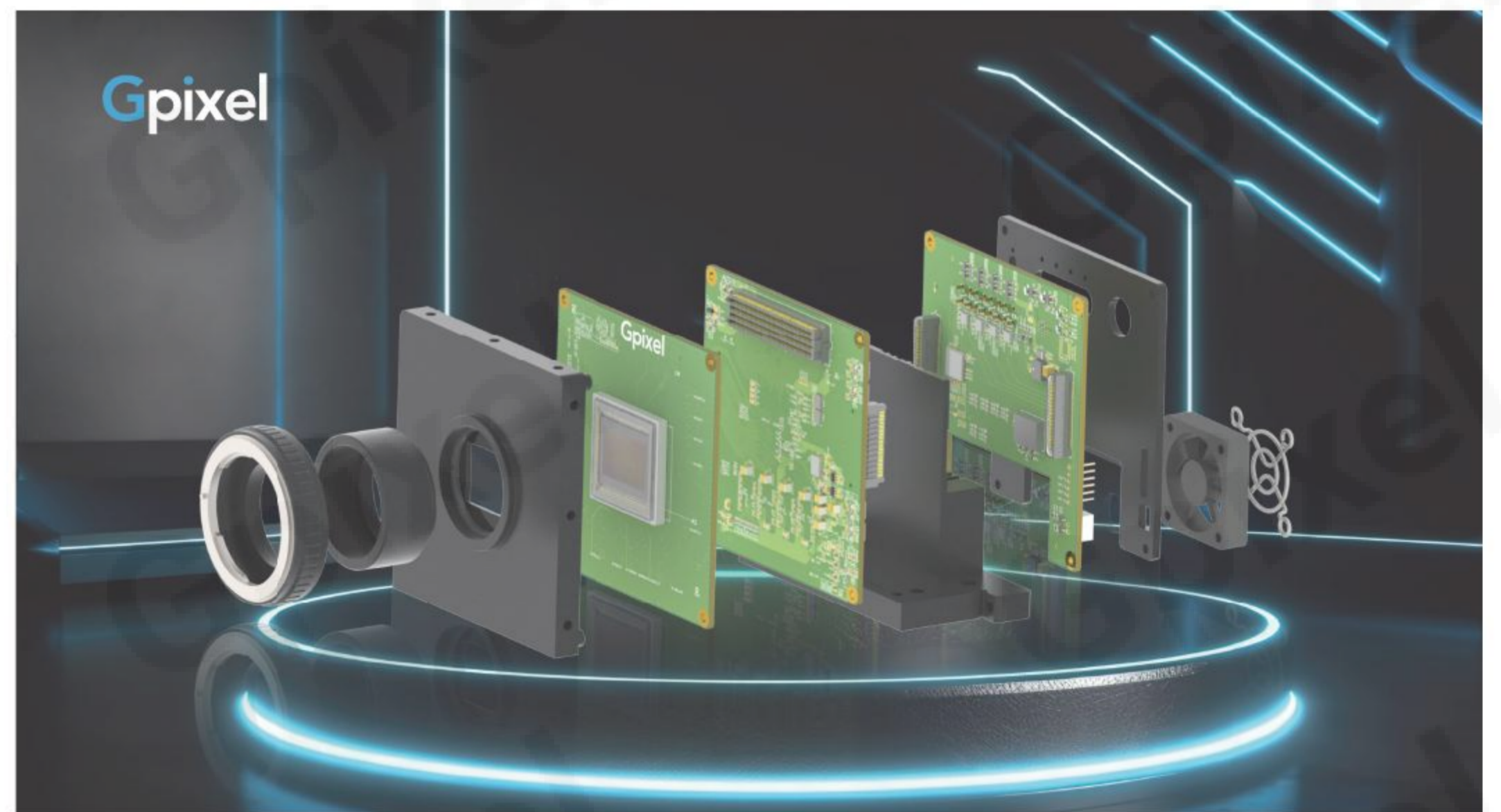
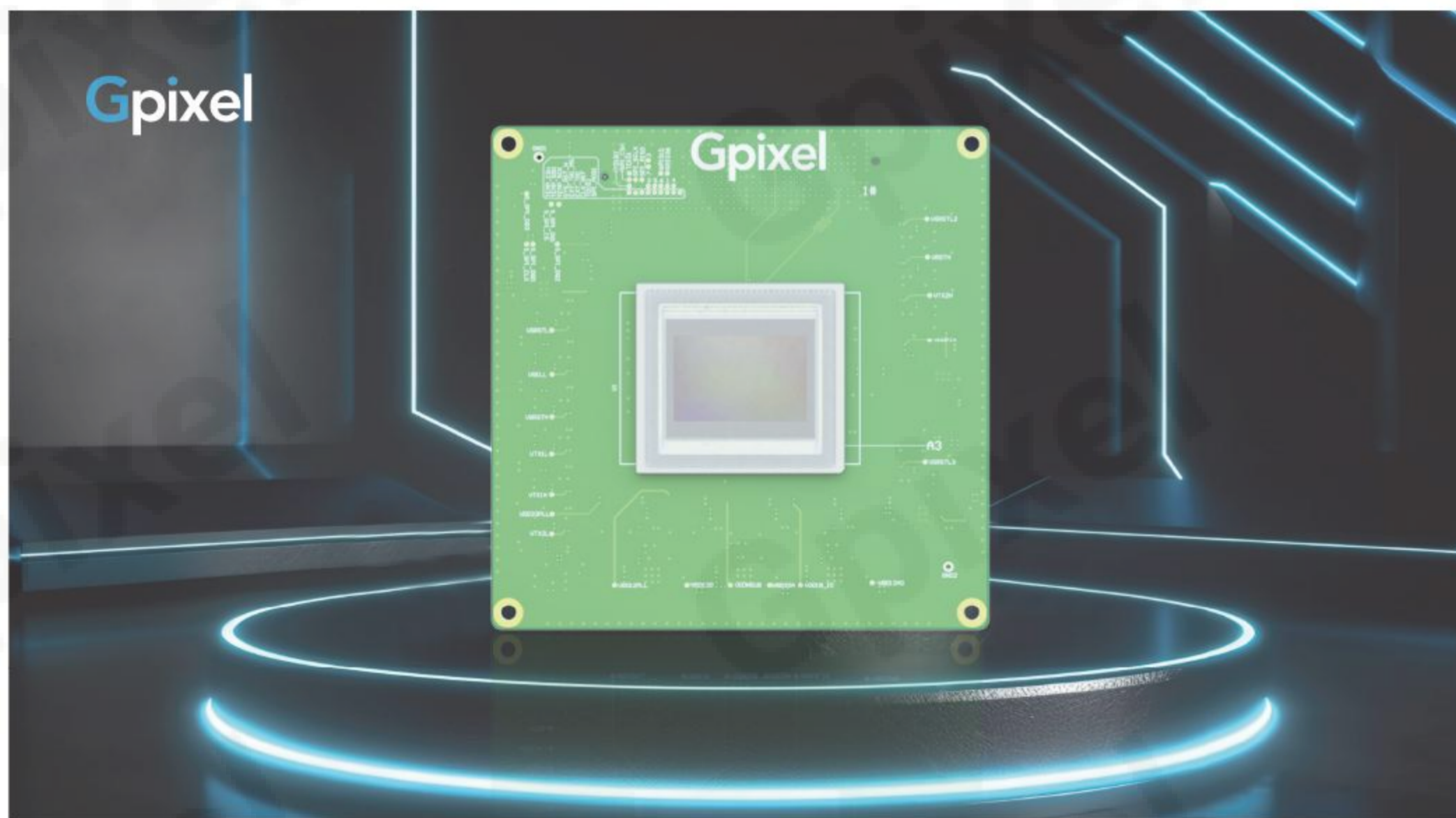




GSPRINT5514BSI Evaluation Kit

General Description

Gpixel's evaluation platform, featuring either CoaXPress 2.0 or USB3 interface, is designed for an easy and accurate evaluation of the GSPRINT5514BSI high speed CMOS sensor. Its form factor, the GenICam compatibility and external triggering options provide flexible setup options in both lab and industrial environments. The high-speed CoaXPress interface / USB3 ensures a smooth, real-time imaging experience.



Key Features

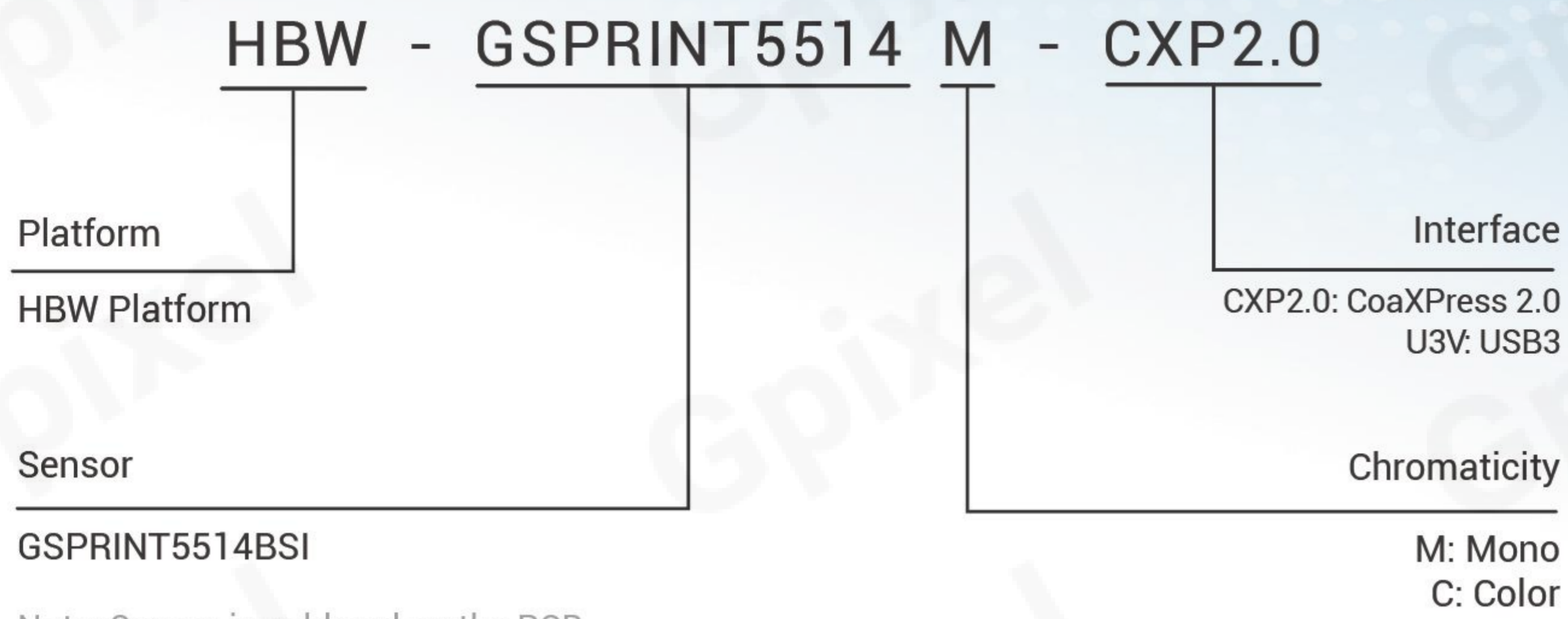
- CoaXPress2.0 Interface/
USB3 interface
- Raw Image Output
- 8/10^{*}/12-bit Modes
- Normal, Binned or Windowed
Readout
- GenICam Compatible
- User-friendly Form Factor
- M42- and F-mount

Specifications

Item	Description
Sensor	GSPRINT5514BSI
Output Interface	CoaXPress 2.0/USB3
Resolution (H x V)	4608 x 3072
Frame Rates	Normal: 253fps(8/10b) [*] /217fps(12b) @CoaXPress 2.0 17fps(8/10b) [*] /10fps(12b) @USB3 Binned:614fps(8/10b) [*] /327fps(12b) @CoaXPress 2.0 67fps(8/10b) [*] /38fps(12b) @USB3 High Speed:282fps(8/10b) [*] (only CoaXPress 2.0) HDR:5fps(12b)(only USB3)
Exposure Time	4 μs ~ 49.99 s
Pixel Bit Depth	8/10 [*] /12-bit
HDR Trigger Mode	Support 16 bit HDR composition (only USB3) External / Free Running
Lens Mount	M42-mount or F-mount
Power Supply	10V~25V
Power Consumption	Typical 25.6W@12V DC @CoaXPress 2.0 Typical 14.8W@12V DC @USB3
Operating Temperature	0-50°C

^{*}Please note that while the sensor operates in 10 bit mode, the data is currently constrained to 8 bit within the FPGA. As a result, image output in 10 bit mode is effectively limited to 8 bit. This limitation will be resolved in an upcoming firmware update.

Ordering Information



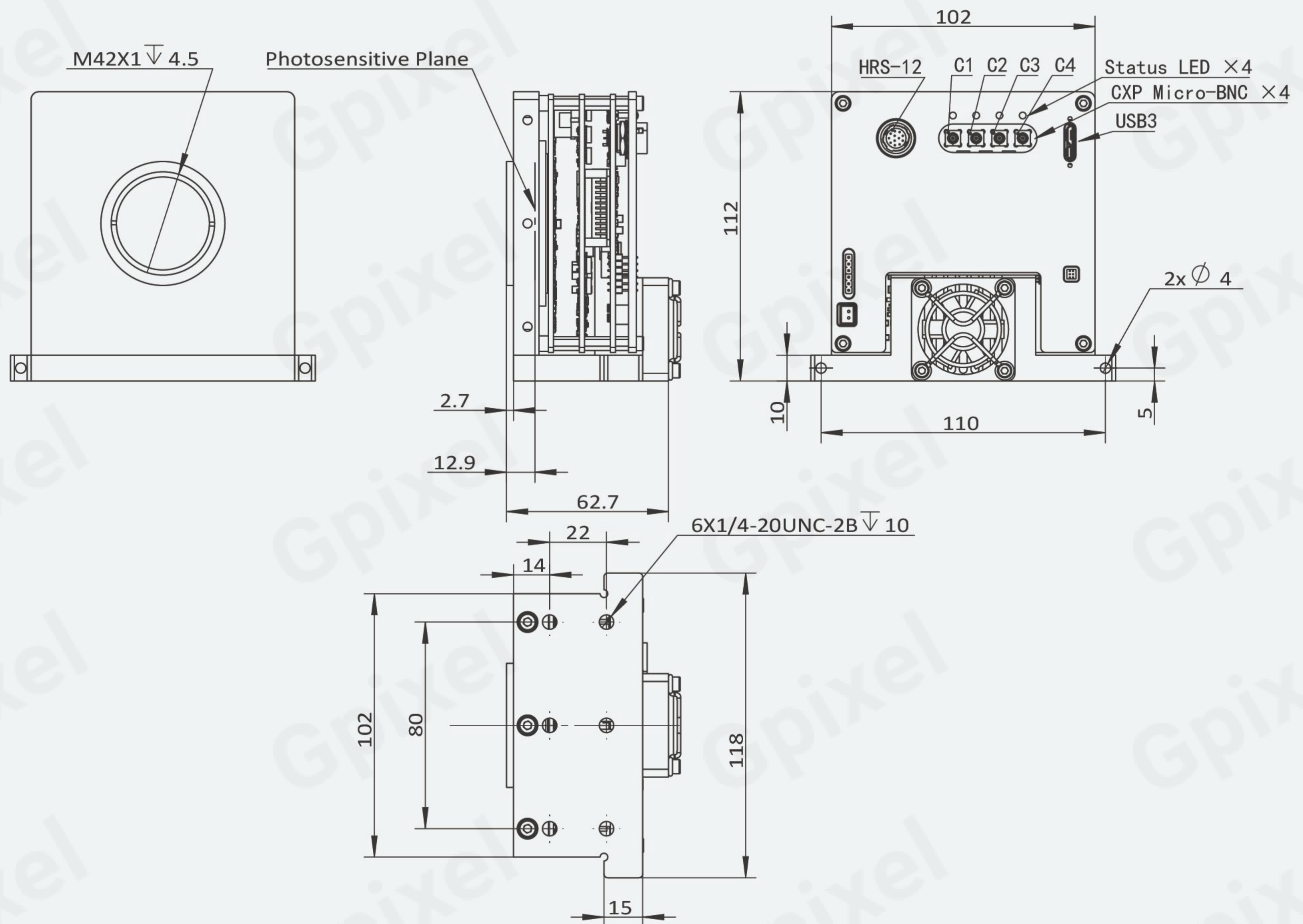
Note: Sensor is soldered on the PCB

Evaluation Kit Includes

- Evaluation module
- Power cable with DC plug and trigger
- Extension ring M42 to M42-19.5mm
- F-mount adapter, 15mm
- Power adapter
- DC plug adapter 2.1mm to 2.5mm
- USB Cable Type-A to Micro-B (only USB3 Interface)

Note: a CXP2.0 frame grabber and four CXP cables are required to use this evaluation kit.

Mechanical Drawing



Contact Gpixel HQ

Add: Building #5, Optoelectronic Information Industrial Park, #7691 Ziyou Road, Changchun, Jilin, China.

Tel: +86-0431-85077785

Email: info@gpixel.com

Website: www.gpixel.com

Revision 20260310

