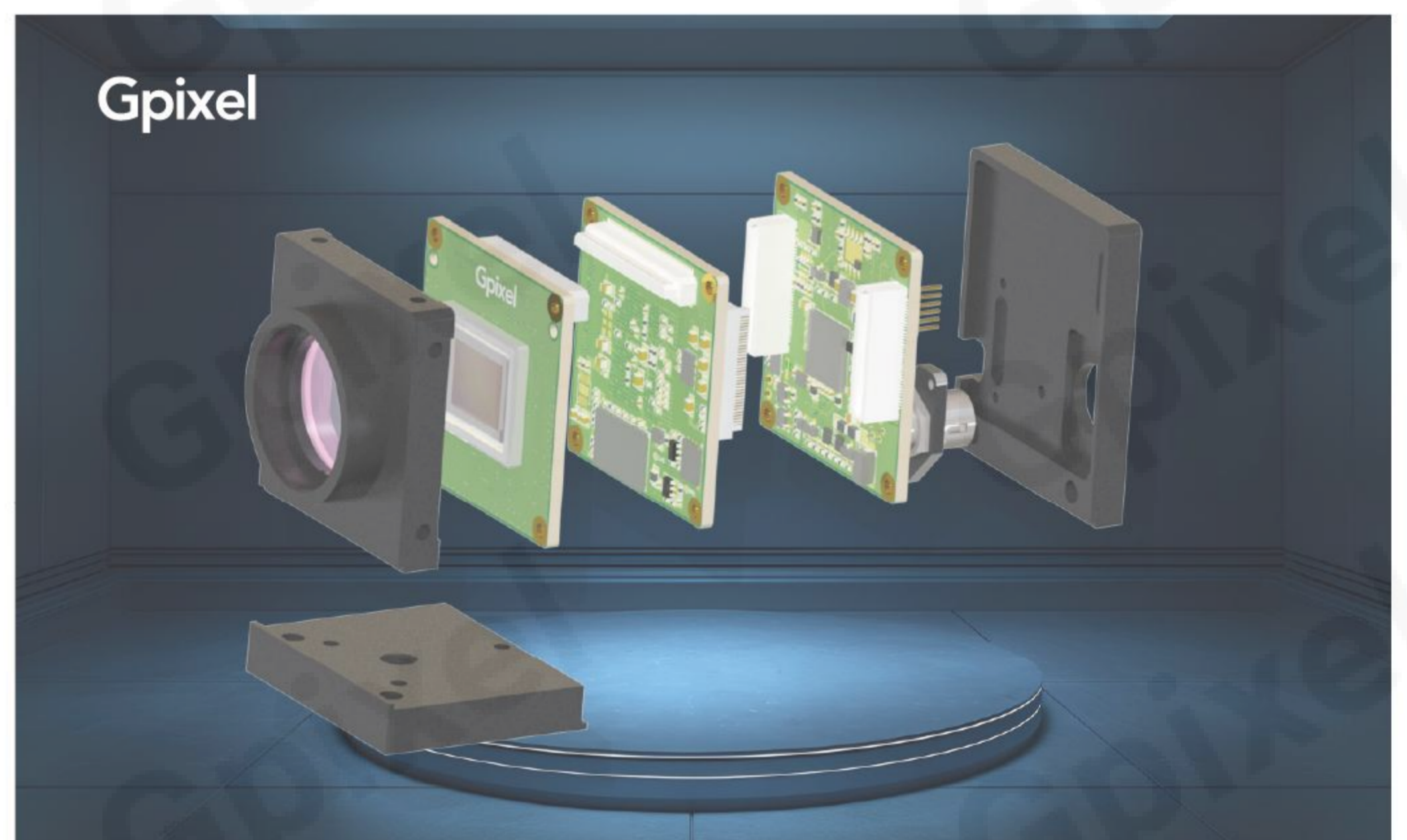
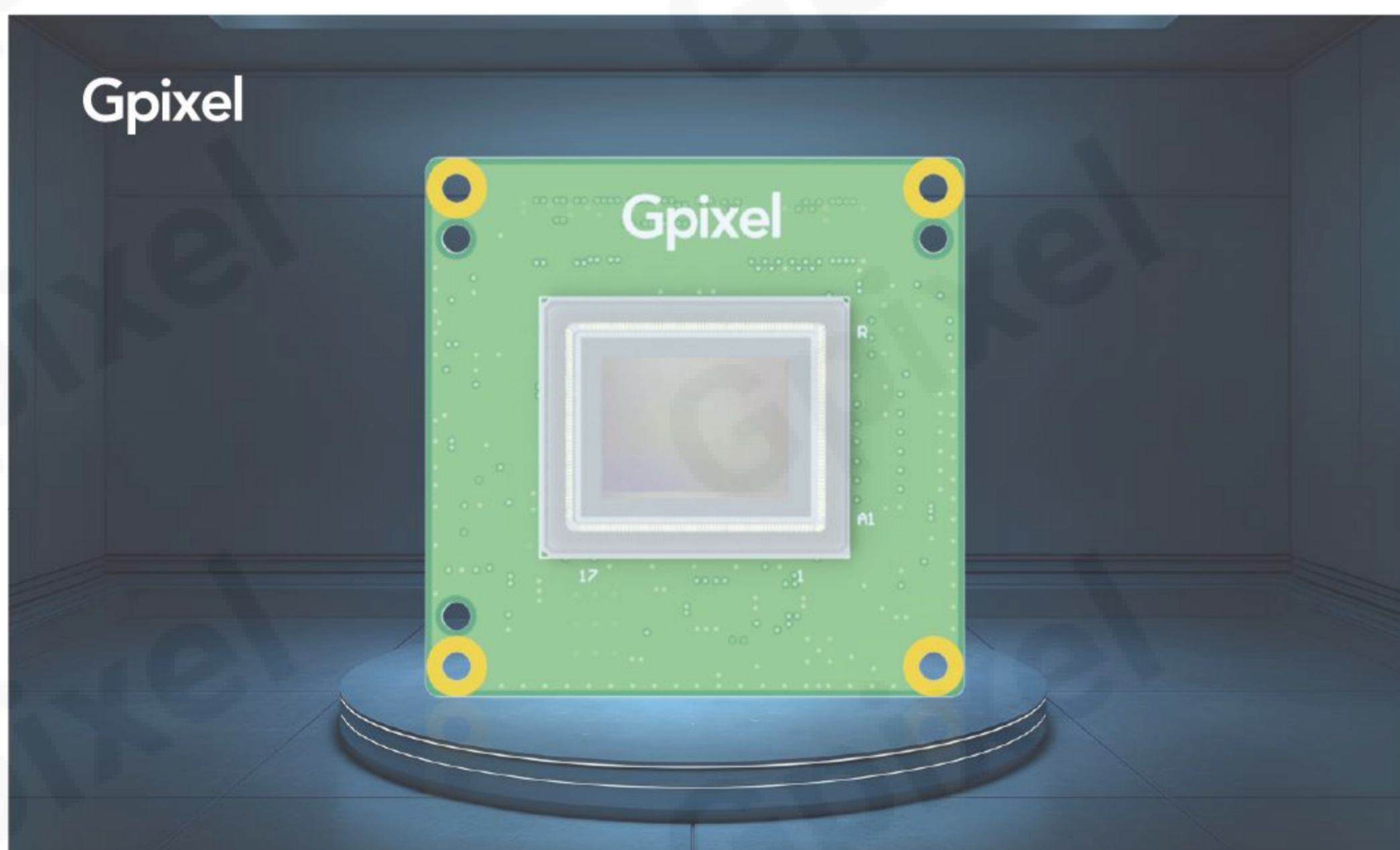




GMAX2424BSI Evaluation Kit

General Description

Gpixel's USB3-based evaluation platform is ideal for an easy and accurate evaluation of the GMAX2424BSI CMOS sensor. Its form factor, the GenICam compatibility and external triggering options provide flexible setup options in both lab and industrial environments. The high-speed USB3 interface ensures a smooth, real-time imaging experience.



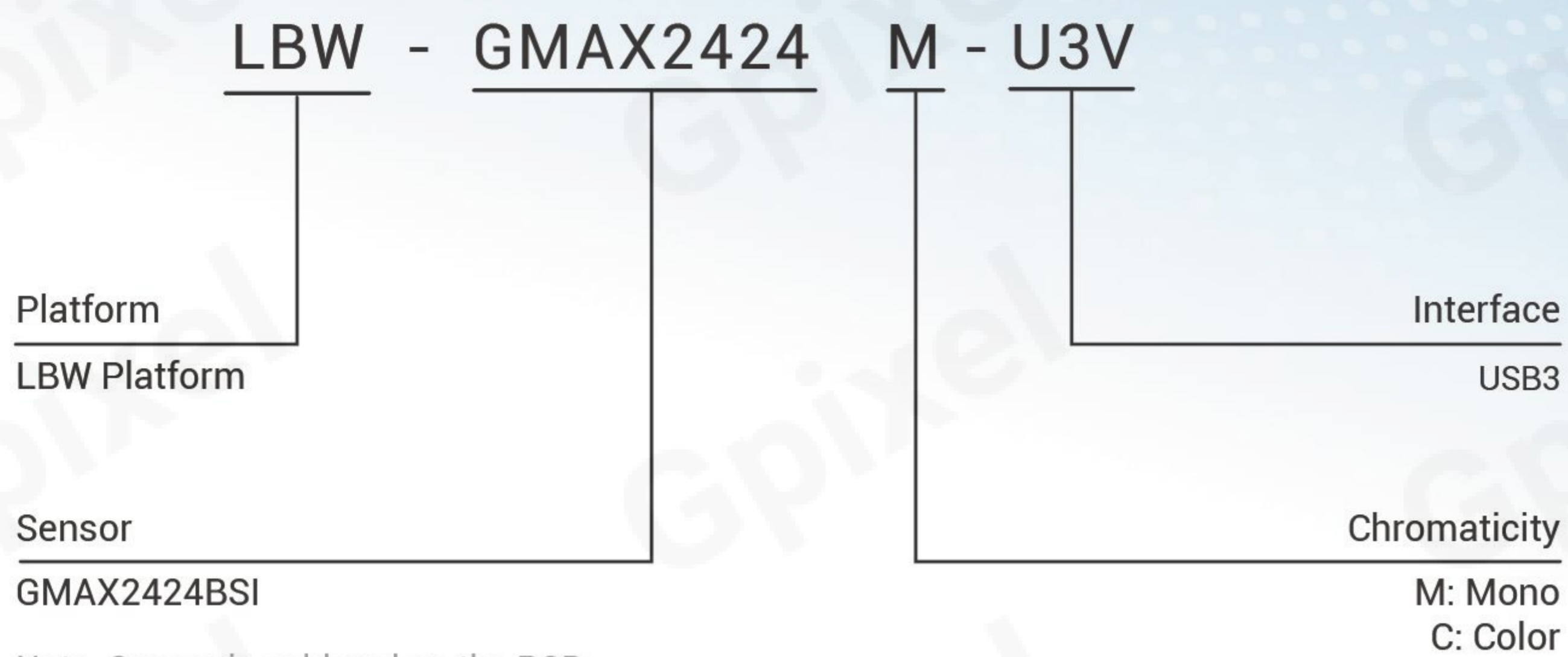
Key Features

- USB3 Interface
- Raw Image Output
- 10/12 bit Modes
- Normal, Binned or Windowed Readout
- GenICam Compatible
- User-friendly Form Factor
- C/CS-mount

Specifications

| Item | Description |
|-----------------------|--|
| Sensor | GMAX2424BSI |
| Output Interface | USB3 |
| Resolution (H x V) | 6016 x 4096 |
| Frame Rates | 60 fps (LVDS, 10 bit) 30 fps (LVDS, 12 bit) |
| Exposure Time | 8 μ s ~ 49.9 s |
| Pixel Bit Depth | 10/12-bit |
| Trigger Mode | External / Free Running |
| ROIs | Vertical / Horizontal |
| Lens Mount | C/CS-mount |
| Power Supply | Power over USB |
| Power Consumption | 3.9 W |
| Operating Temperature | 0-50°C |

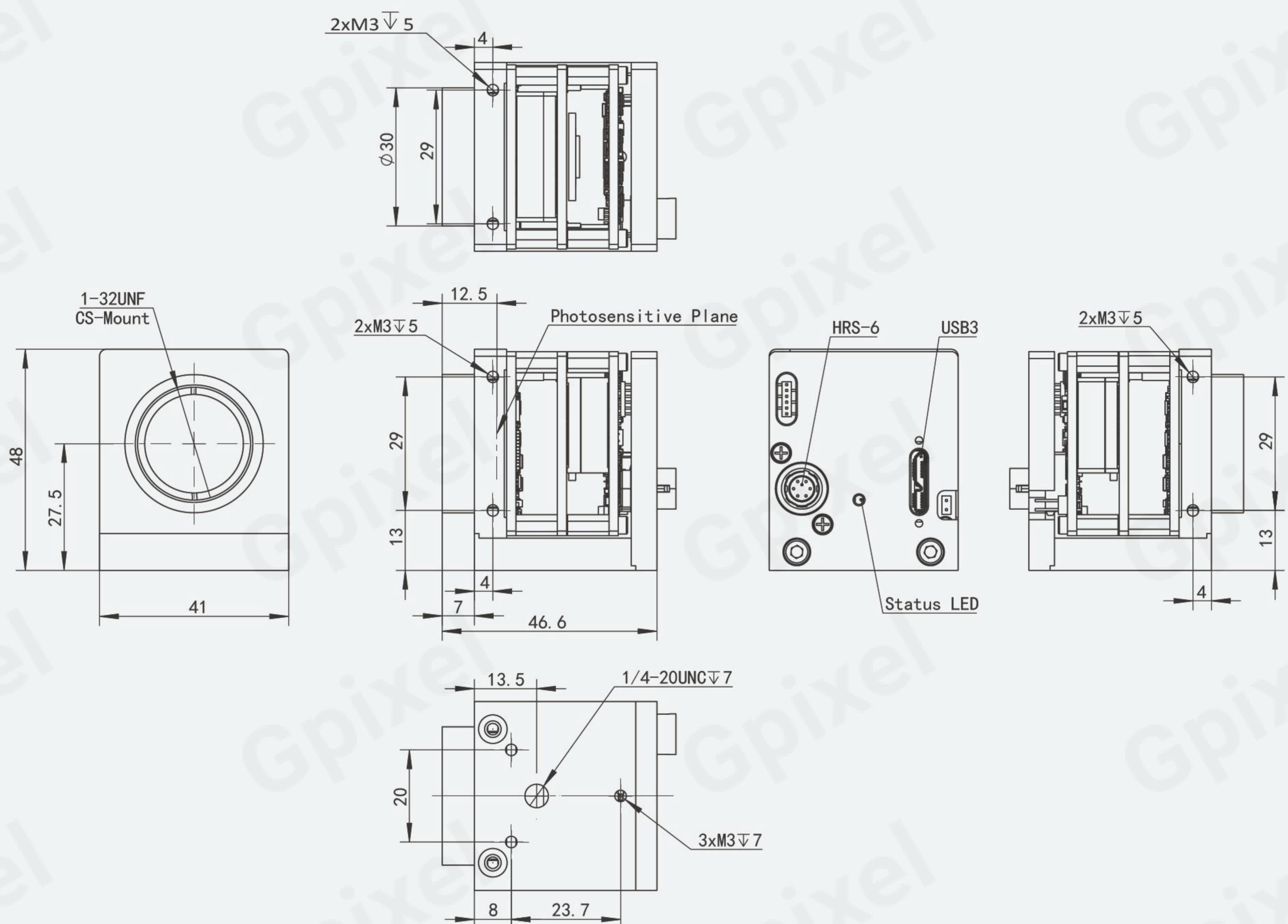
Ordering Information



Parts List

- Evaluation module
- USB cable Type-A to Micro-B
- Extension ring 5 mm, C/CS mounting
- Trigger cable

Mechanical Drawing



Contact Gpixel HQ

Add: Office Buildings 1 and 5, Phase I, Optoelectronic Information Industrial Park, No.7691 Ziyou Road, Changchun, Jilin, China.

Tel: +86-0431-85077785
Email: info@gpixel.com
Website: www.gpixel.com

Revision 20260212

